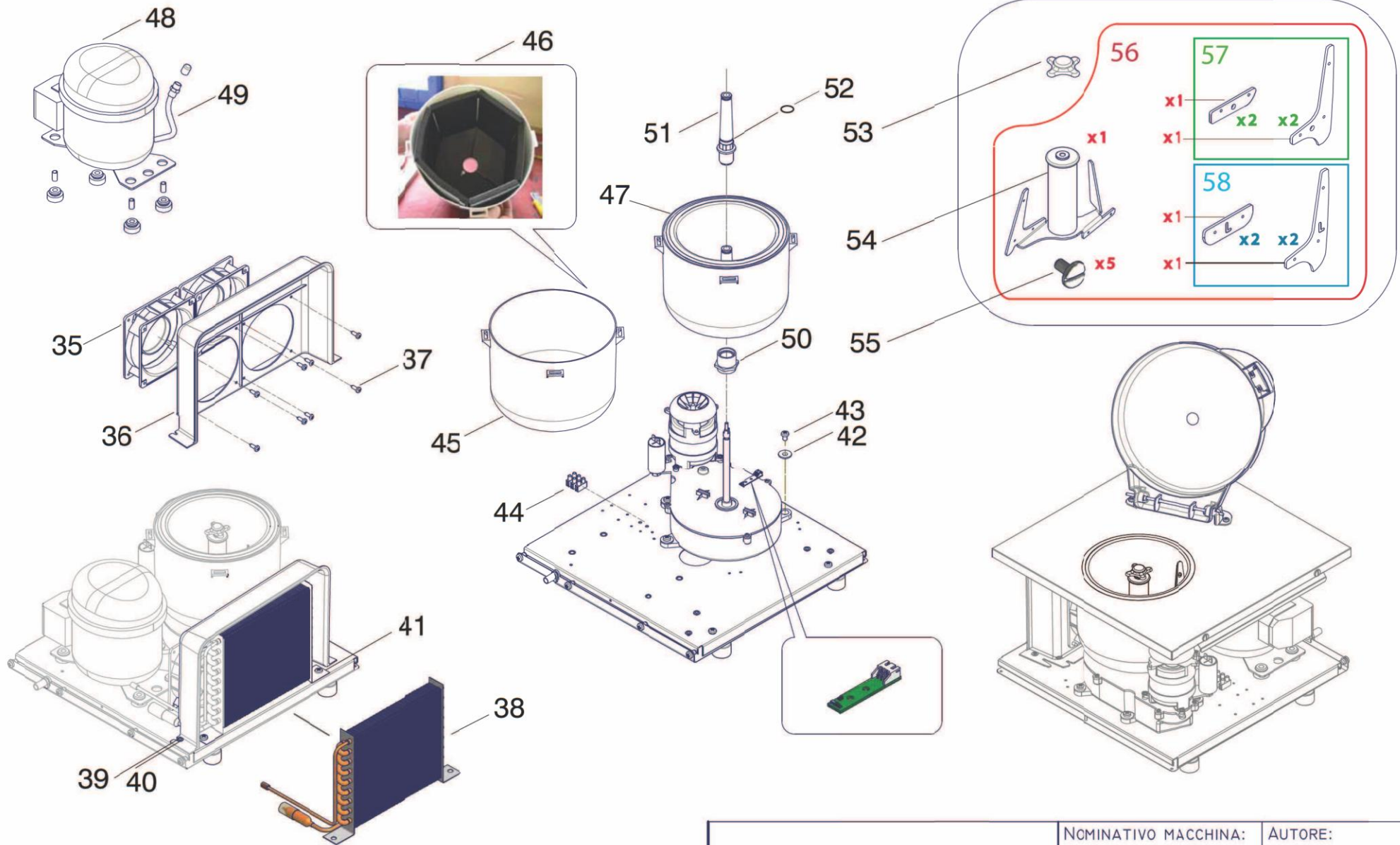


	NOMINATIVO MACCHINA: PRO 2500 SP	AUTORE: Maurizio Pezzi
	CODICE DISTINTA BASE: 0036770250R00	DATA DI EDIZIONE: 25-11-2013
	CODICE DISEGNO: F7L32B00R0	TAVOLA : 1

56 COMPLETE KIT

57 REMOVABLE BOWL KIT

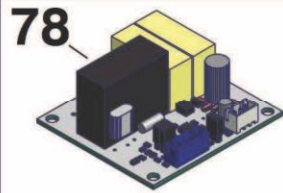
58 FIXED BOWL KIT



NEMOX
PROFESSIONAL CLASS

NOMINATIVO MACCHINA: PRO 2500 SP	AUTORE: Maurizio Pezzi
CODICE DISTINTA BASE: 0036770250R00	DATA DI EDIZIONE: 25-11-2013
CODICE DISEGNO: F7L32B00R0	TAVOLA : 2

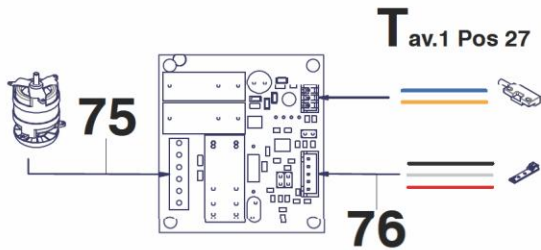
Electronic board PCB



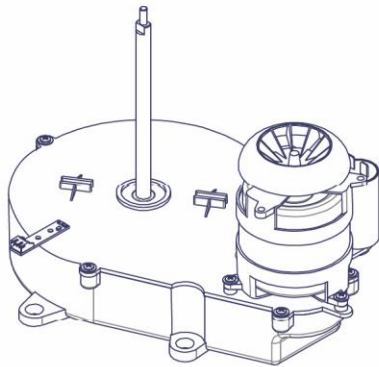
Encoder sensor



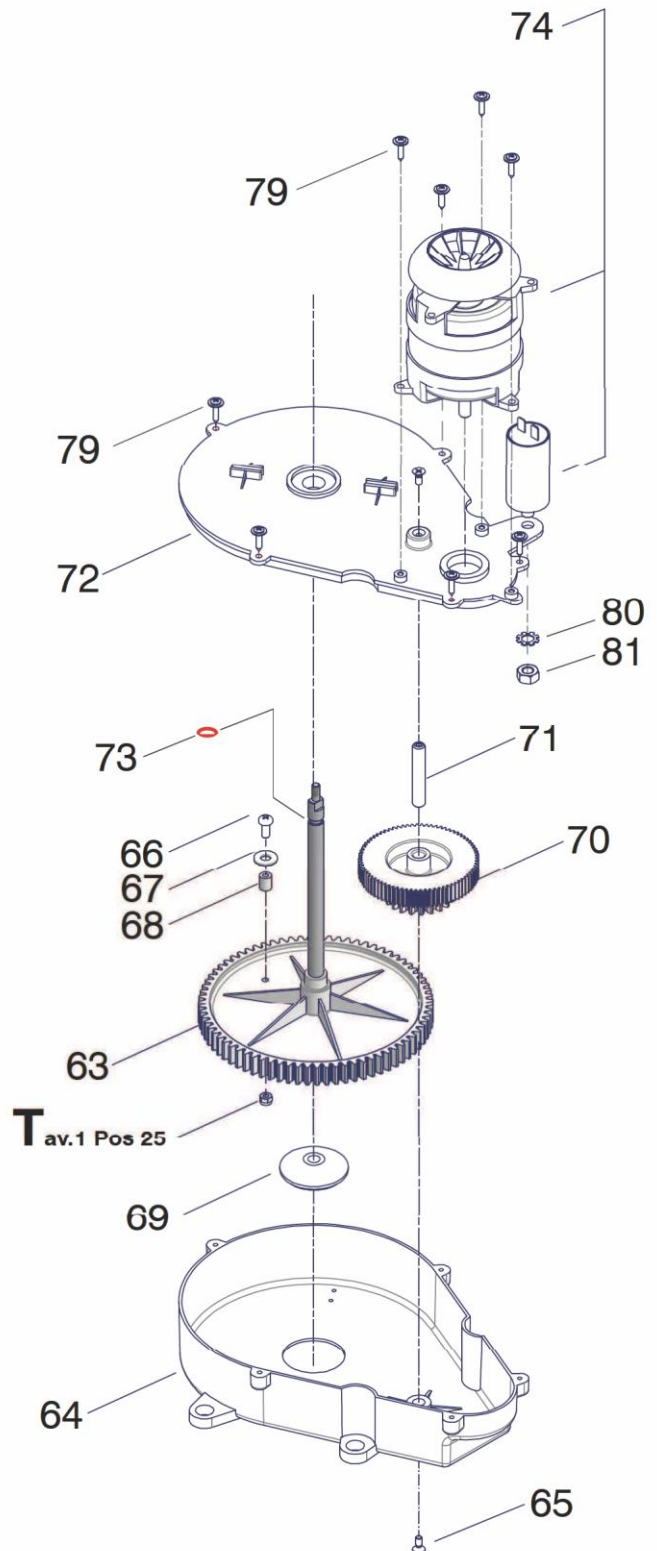
Connection wirings



61



62



NEMOX[®]
PROFESSIONAL CLASS

NOMINATIVO MACCHINA:
PRO 2500 SP

AUTORE:
Maurizio Pezzi

CODICE DISTINTA BASE:
0036770250R00

DATA DI EDIZIONE:
26-11-2013

CODICE DISEGNO:
F7L32B00R00

TAVOLA :
3

ICE CREAM MACHINE PRO 2500 SP 230 V 50/6 • Spare part list
Ref drawing Nr.: F7L32B00R0

Tav.	Ref. Numbe	Item Cod	Description	Q.ty	Price Ex works
1	1	10640403R04	TRASPARENT LID	1	32,70
1	2	10640404R02	LID HOLDING PLASTIC BLOCK	1	11,40
1	3	10640405	HINGE INOX	1	0,80
1	4	110100285	TIMER KNOB	1	1,10
1	5	300732	POLAR SWITCH	1	5,90
1	6	307400505	TIMER 60'	1	21,25
1	7	307400533	MAGNET	1	11,20
1	8	222600821	SCREW	10	0,15
1	9	220600627	SCREW M3	4	0,10
1	10	222600581	NUT	8	0,10
1	11	227501	SPACER TO FIX PCB	2	0,10
1	12	238920R01	BACK HOUSING	1	28,25
1	13	238921R02	UPPER HOUSING	1	95,40
1	14	238922	RIGHT SIDE HOUSING	1	45,70
1	15	238923	LEFT SIDE HOUSING	1	45,70
1	16	238924	PROTECTION HANDLE	2	10,75
1	17	239011	CENTERING PLATE	1	31,10
1	18	314400706	POWER CORD SCHUKO	1	3,15
1	19	1109	CABLE RING	1	0,45
1	20	1102006	BOWL GASKET	1	4,65
1	21	238156	LOWER HOUSING	1	20,35
1	22	238250R01	BASIS PLATE	1	52,50
1	23	1121	FEET	4	3,70
1	24	620117	FRONT PANEL	1	53,60
1	25	222600782	SELF-LOCKING NUT M4	1	0,10
1	26	222600694	SCREW M5X12	8	0,15
1	27	0963165	REED BULB	1	26,35
2	35	110100815	FAN 120X120X38 220 V	2	14,95
2	36	110100223R02	AIR CONVEYOR	1	12,50
2	37	22260068701	Screw M4,8X16	10	0,10
2	38	1650016R01	CONDENSER	1	62,85
2	39	222600660	SCREW	4	0,10
2	40	222600664	PLANE WASHER	4	0,10
2	41	220600619	SCREW M6	2	0,30
2	42	110100371	FIXING FEET	4	0,15
2	43	222600703	SCREW M8X30	4	0,25
2	44	3032	TERMINAL BLOCK	1	0,25
2	44	3038	PLATE FOR JUNCTION BOX	1	1,05
2	45	110100251	PLASTIC CASE POT	1	5,45
2	46	340230	INSULATION SECTOR	1	2,65
2	46	340231	INSULATION SECTOR	1	1,40
2	46	340232	INSULATION SECTOR	1	1,45
2	46	340233	INSULATION SECTOR	4	1,30
2	46	340234	INSULATION SECTOR	1	1,15

ICE CREAM MACHINE PRO 2500 SP 230 V 50/6 • Spare part list
Ref drawing Nr.: F7L32B00R0

Tav.	Ref. Numbe	Item Cod	Description	Q.ty	Price Ex works
2	47	0950036	EVAPORATOR UNIT	1	157,40
2	48	321400516	COMPRESSOR	1	265,85
2	49	210700706	CHARGER PIPE	1	2,00
2	50	110100181	NUT	1	1,30
2	51	096956564R02	DRIVE SHAFT SLEEVE	1	3,80
2	52	1102040	OR	1	0,10
2	53	0969523	NUT FOR MIXING PADDLE FIXING	1	1,20
2	54	110100166	PADDLE	1	90,00
2	55	222600847	SCREW	10	0,10
2	56	0005700022R00	ASSEMBLY PADDLE AND PTFE INSERTS	1	158,15
2	57	0005700026R00	PTF INSERT for fixed bowl	1	66,95
2	58	0005700024R00	PTFE INSERT for removable bowl	1	68,15
3	61	06000051	PADDLE MOTOR GROUP	1	114,35
3	62	340221	FOOD GREASE	1	19,65
3	63	09105003R01	DRIVE SHAFT TRACTOR WITH PIN	1	13,55
3	64	110100211R01	GEARS BOX	1	6,05
3	65	222600628	SCREW	2	0,10
3	66	222600846	SCREW	1	0,15
3	67	222600777	MAGNET	1	3,10
3	68	238412	NYLON THICKNESS	4	0,20
3	69	228004	BUSH	1	4,20
3	70	156100231	INTERMEDIATE GEAR	1	3,80
3	71	211300525R01	PIERCED PIN	1	2,70
3	72	110100221R01	REDUCTION GEAR LID	1	5,10
3	73	113200257	OR 2025	1	0,10
3	74	321400561R01	PADDLE MOTOR	1	58,35
3	75	307900983	WIRING ELECTRONIC BOARD	1	9,00
3	76	307900981	WIRING SENSOR PCB	1	6,00
3	77	307900980	ELECTRONIC BOARD SENSOR	1	4,50
3	78	307900979	ELECTRONIC BOARD	1	26,10
3	79	222600618	SCREW	8	0,10
3	80	222600610	WASHER	1	0,10
3	81	222600609	NUT M8	1	0,10